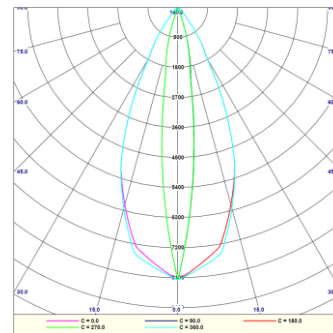


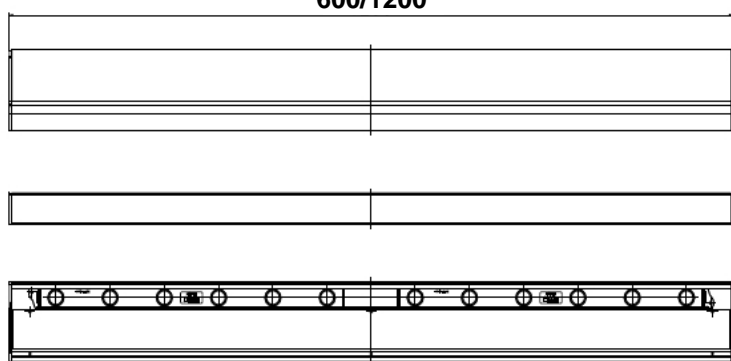
LED Linear Flood Light




10° x 50° Special Lens Applied

Linear Flood Light for Billboard	220~240VAC INPUT	Up to 2m High	CE/RoHS	3Years Warranty	Outdoor (IP67)
---	-------------------------	----------------------	----------------	------------------------	-----------------------

600/1200



Operating Temp. : -20°C~+50°C



Size: 128mm(W) x 600mm(L) x 50mm(H)
Size: 128mm(W) x 1200mm(L) x 50mm(H)

Model (Model No.)	Input Vol.	Power Con.	CCT	Beam angle	CRI	Lum. Flux	Lum. Efficacy	IP
HSL-602-0600	220~240 VAC	14W	6500K	10° X 50°	Ra80	1475 lm	105 lm/W	IP67
HSL-602-1200	220~240 VAC	28W	6500K	10° X 50°	Ra80	2950 lm	105 lm/W	IP67

Installation Guide

① : To mount Bracket to the wall by screwing.



② : To Mount HSL-602 to the bracket.



③ : To fix HSL-602 to the bracket by screwing



* In case of installing more than 2 units.



To connect each wire from each products via the hole of product.